
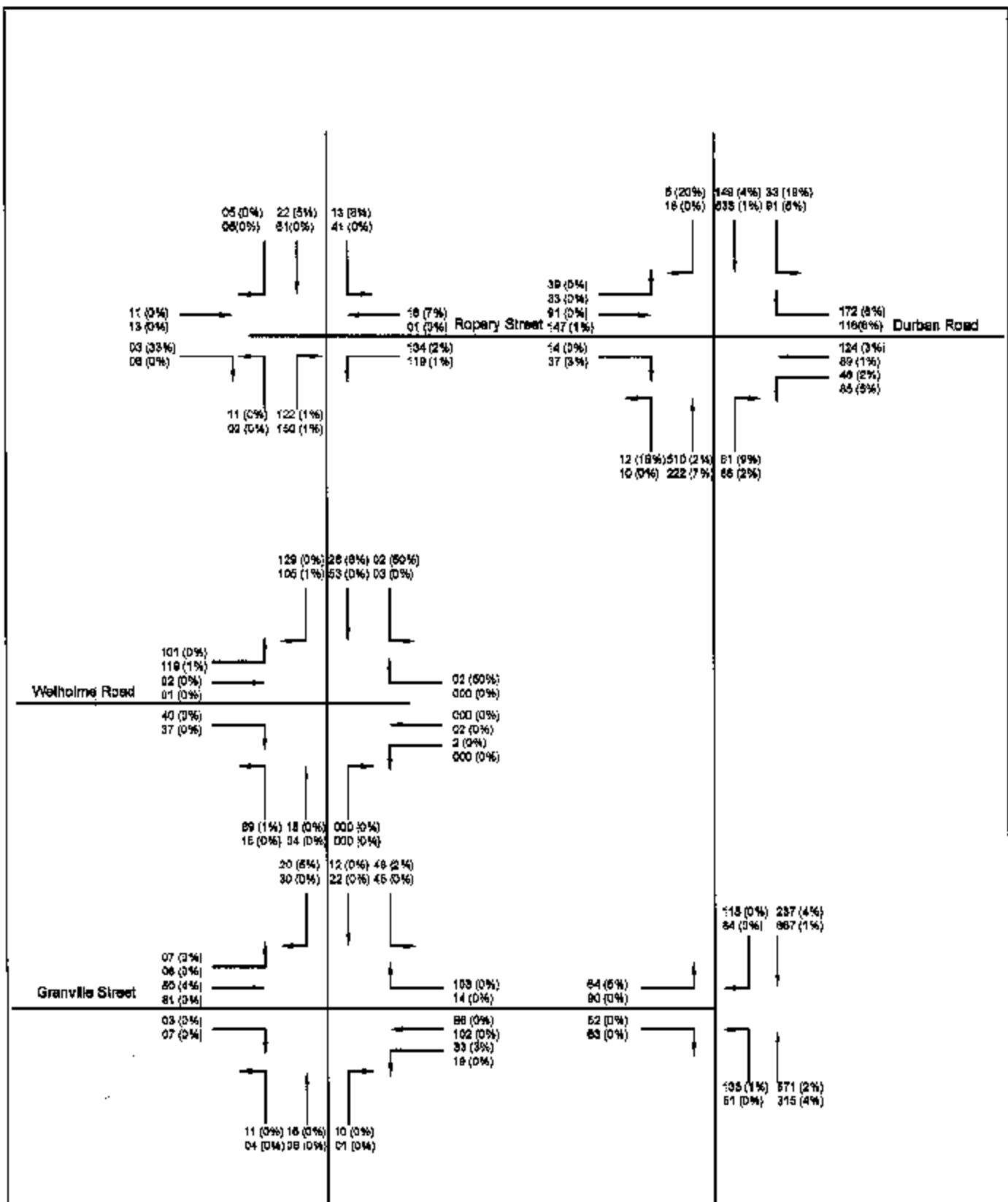



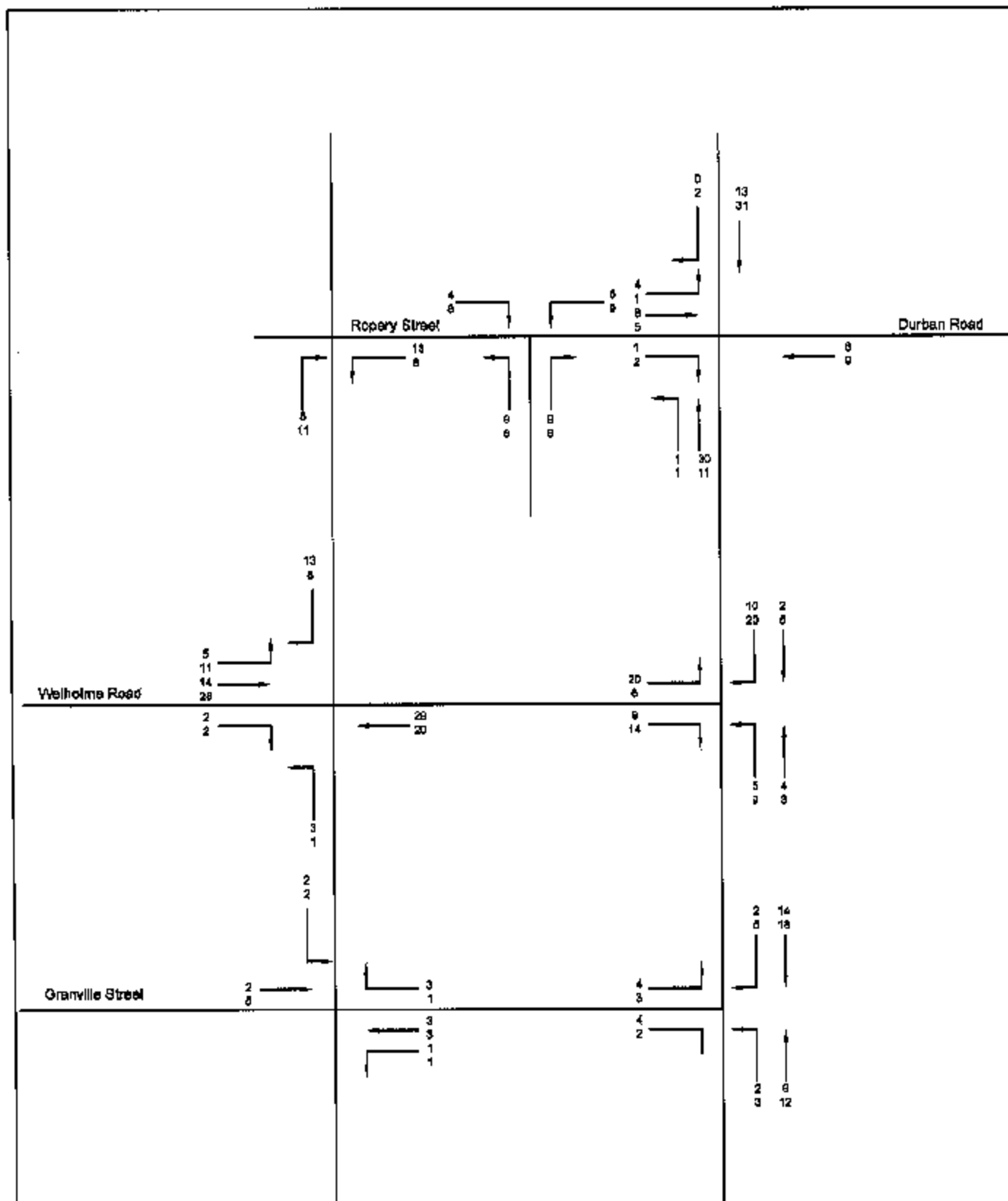
Key
 000 (00) - Am Peak Hour(%HGV)
 000 (00) - Pm Peak Hour(%HGV)

 <p>SANDERSON ASSOCIATES <small>(CONSULTING ENGINEERS) LTD</small> <small>HEALTHY, TRAFFIC AND TRANSPORTATION</small> <small>Tel: 01904 844081 Fax: 01904 844081</small> <small>Email: mail@sandersonassociates.co.uk</small> <small>Web site: www.sandersonassociates.co.uk</small></p>	<p>LADYSMITH ROAD GRIMSBY</p>		<p>Drawn SB</p>	<p>Scale N.T.S.</p>
	<p>2006 BASE TRAFFIC FLOWS</p>		<p>Checked</p>	<p>Date July 08</p>
			<p>Approved</p>	<p>Drawing Number FIGURE 03</p>




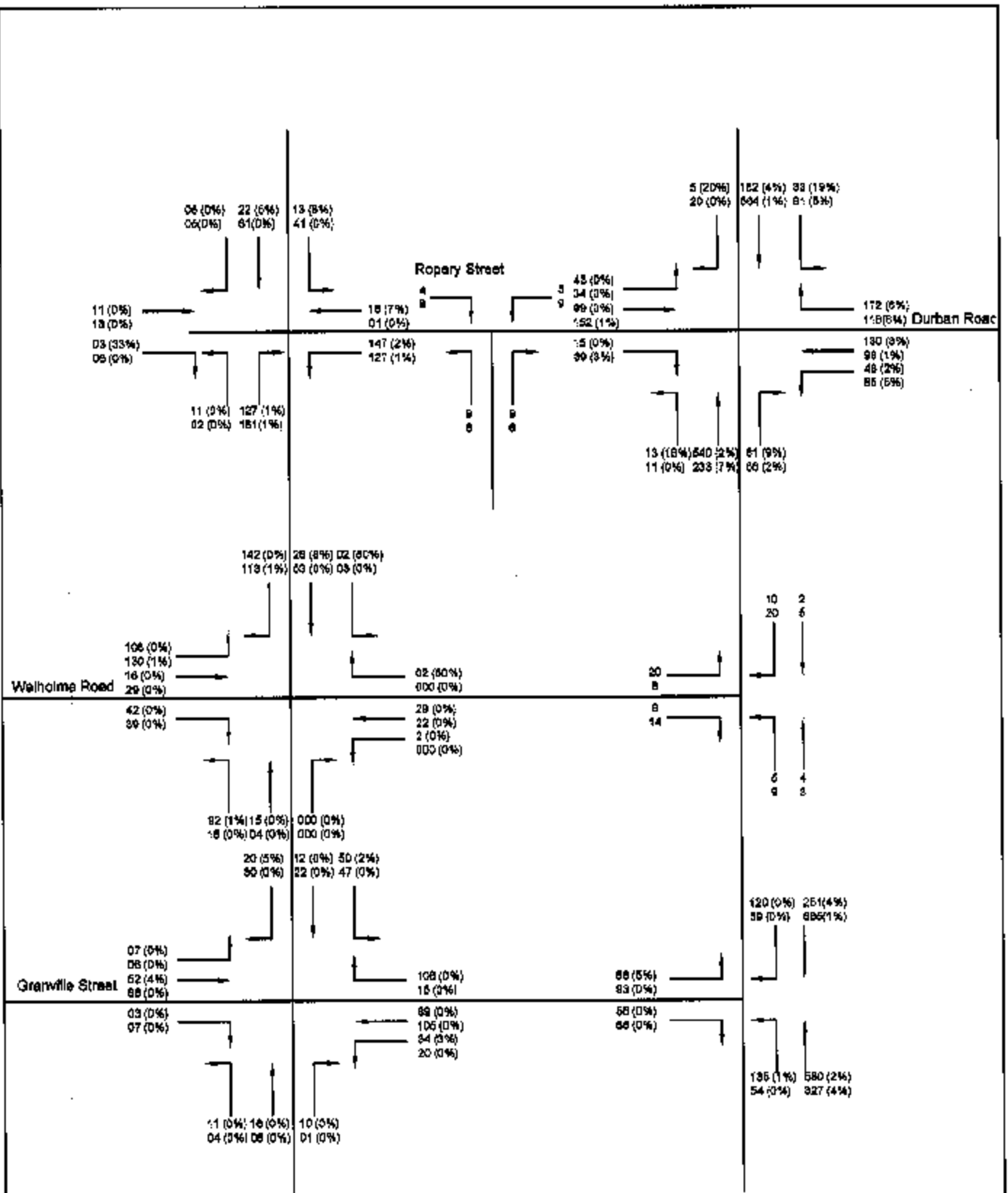
Key
 000 (00) - Am Peak Hour(%HGV)
 000 (00) - Pm Peak Hour(%HGV)

 <p>SANDERSON ASSOCIATES <small>CONSULTING ENGINEERS LTD 45/45/46, TRAFALGAR AND TRANSPORT TEL: 01290 84204 Fax: 01290 844301 E-Mail: mail@sandersonassociates.co.uk Web site: www.sandersonassociates.co.uk</small></p>	<p>LADYSMITH ROAD GRIMSBY</p>		<p>Drawn SB</p>	<p>Scale N.T.S.</p>
	<p>2010 BASE TRAFFIC FLOWS</p>		<p>Checked</p>	<p>Date July 06</p>
			<p>Approved</p>	<p>Drawing Number FIGURE 04</p>




Key
 000 (00) - Am Peak Hour
 000 (00) - Pm Peak Hour

 <p>SANDERSON ASSOCIATES <small>(CONSULTING ENGINEERS) LTD</small> <small>ROADS, TRAFFIC AND TRANSPORTATION</small> <small>Tel: 01904 844080 Fax: 01904 844081</small> <small>E-Mail: mail@sandersonassociates.co.uk</small> <small>Web site: www.sandersonassociates.co.uk</small></p>	LADYSMITH ROAD GRIMSBY		Drawn SB	Scale N.T.S.
	GENERATED TRAFFIC FLOWS		Checked	Date July 06
			Approved	Drawing Number FIGURE 05



Key
 000 (00) - Am Peak Hour(%HGV)
 000 (00) - Pm Peak Hour(%HGV)

 <p>SANDERSON ASSOCIATES CONSULTING ENGINEERS LTD HIGHWAY TRAFFIC AND TRANSPORTATION Tel: (01624) 844080 Fax: (01624) 844081 E-Mail: enquiries@sandersonassociates.co.uk Web site: www.sandersonassociates.co.uk</p>	LADYSMITH ROAD GRIMSBY		Drawn SB	Scale N.T.S.
	2010 BASE TRAFFIC FLOWS + DEVELOPMENT FLOWS		Checked	Date July 08
			Approved	Drawing Number FIGURE 08